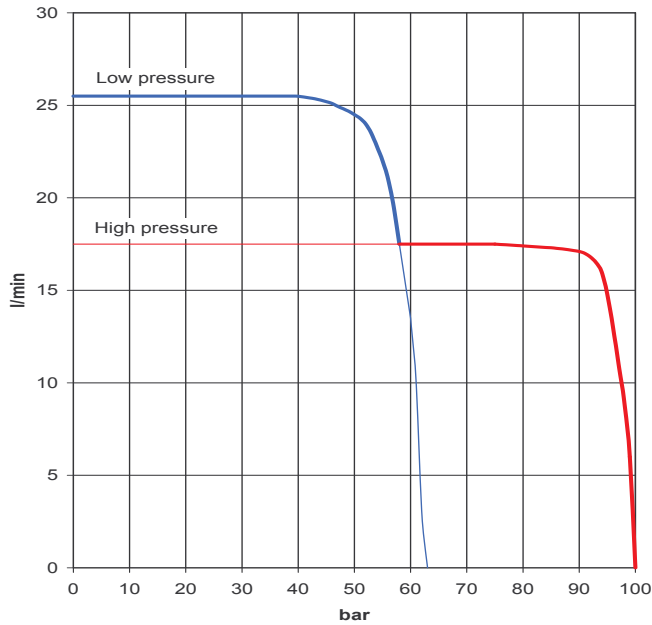
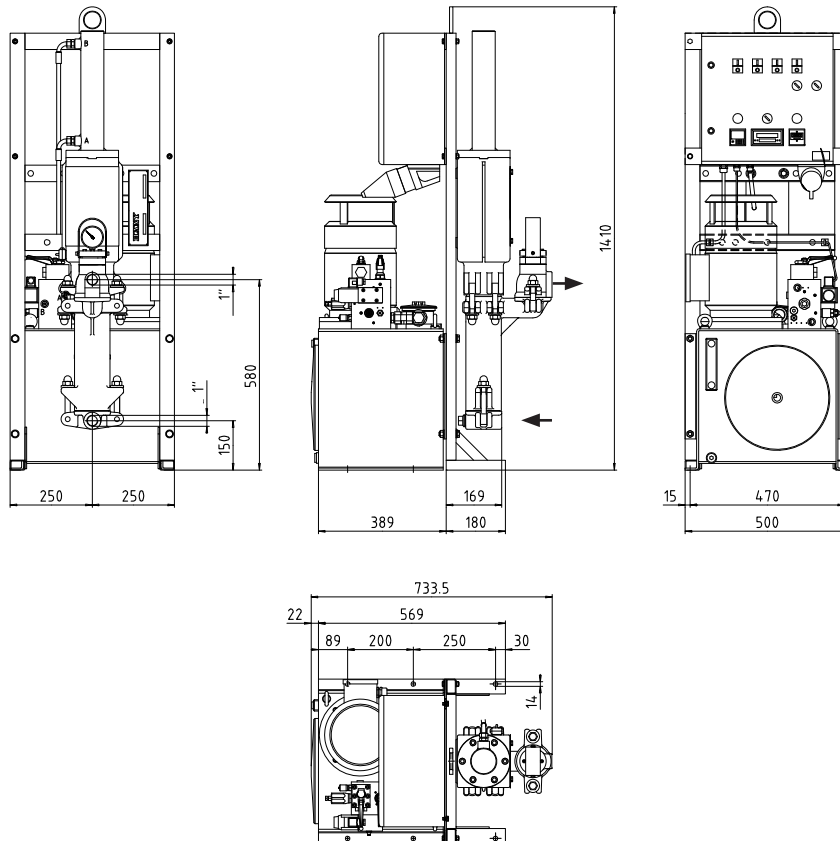


Data sheet

ZMP 610V



Plunger Ø	mm	65
Capacity, max. (W/C = 1)	m ³ /h	1.5
Volume per stroke 100%	l	0.82
Pressure, max.	bar	100
Pressure, min.	bar	3
Particle size, max.	mm	5
Oil content	l	50
Motor rating	50 Hz kW	5.5
	60 Hz kW	6.3
Weight	kg	270
Cooling water connection	BSP	3/8"
Cooling water consumption	l/min	2 - 3
Discharge	BSP	1"
Suction	BSP	1"



GROUTING SYSTEMS

HÄNY

GROUT PUMP ZMP 610V

The ZMP 610V is a vertical single acting plunger pump powered by a special hydraulic system. Due to the unique design of this system, the back or suction stroke is always carried out at high speed. Therefore the pressure drop resembles that of a double acting pump and is minimal. The advantage of the fast suction stroke is that the grout passes the suction valve of the pump at relatively high velocity. Thus, heavy particles which tend to settle on the suction valve during the working stroke will be flushed away and the valve is always kept clear. Mixes with low water/cement ratios and sand particles of up to 5 mm in size do not create any problems.

The ZMP 610V is equipped with precise pressure and flow control valves which allow stepless pre-setting of both maximum pressure and flow independently. Whenever the pre-set pressure is reached, the pump automatically stops and maintains that pressure without fluctuations to ensure complete filling of the grout hole.

The hydraulic power pack is especially designed to power the hydraulic grout pump ZMP 610V. It comprises a hydraulic pump, safety valve, pressure and flow control valves, filter contamination gauge as well as temperature and oil level gauge. For continuous operation and warm climatic conditions the hydraulic power pack is provided with a water connection for the cooling of the hydraulic oil.

Simple operation, easy maintenance and cleaning, high quality and safety standards are some of the outstanding features of this pump. The vertical arrangement allows space saving installations in confined areas such as container plants etc.

OPTIONAL:

STROKE COUNTER

(re-settable)

REMOTE CONTROL

"ON - OFF" with 50 m of cable

REMOTE CONTROL

"ON - OFF" + Flow Control with 50 m of cable

RADIO - REMOTE CONTROL

Function "ON - OFF", range 50 – 100 m

RADIO - REMOTE CONTROL

Function "ON - OFF" + Flow Control, range 50 – 100 m

GROUTING SYSTEMS

HÄNY

